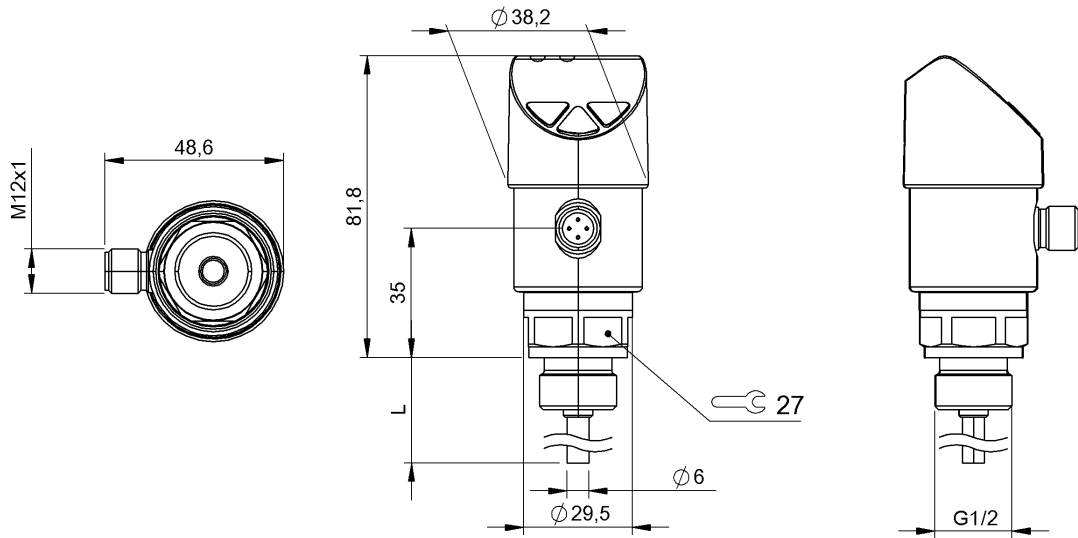


Temperature Sensors
BFT 6025-HV003-A00A0C-S4
Order Code: BFT0015

BALLUFF



Basic features

Approval/Conformity	CE cULus WEEE
Operating panel	3 buttons 4-digit, 14-segment display, red
Principle of operation	Temperature sensor

Display/Operation

Switching function display	LED
-----------------------------------	-----

Electrical connection

Connection	Connector, M12x1-Male, 4-pin
Polarity reversal protected	yes
Short-circuit protection	yes

Electrical data

Current draw max.	600 mA, incl. switching current
Operating voltage Ub	15...35 VDC
Switching current	100 mA
Switching cycles min.	100 mil.

Environmental conditions

Ambient temperature	-20...80 °C
EN 60068-2-27, Shock	50 g
EN 60068-2-6, Vibration	6 g at resonance
IP rating	IP65, IP67
Noise emission	EN 61326-2-3: 2013
Storage temperature	-20...80 °C

Functional safety

MTTF (40 °C)	330 a
---------------------	-------

Interface

Analog output	Analog, voltage 0...10 V
Switching output	PNP

Material

Gasket, material	FKM
Housing material	PC/ABS TPE-E, PC, 1.4301 stainless steel
Process connection material	1.4571 stainless steel

Mechanical data

Installation length from contact surface	25 mm
Pressure rating max.	150 bar
Probe diameter	6 mm
Process connection	G 1/2" outer
Tightening torque max.	10 Nm
Weight	328 g

Temperature Sensors
BFT 6025-HV003-A00A0C-S4
Order Code: BFT0015

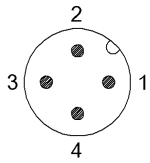
BALLUFF

Range/Distance

Accuracy analog signal	$\leq \pm 0.5\%$ of span + temperature sensor error
Accuracy display	$\leq \pm (0.8\%$ of span + temperature sensor error) ± 1 digit
Accuracy switching output	$\leq \pm 0.8\%$ of span + temperature sensor error

Measuring element	Pt1000
Measuring range	-20...80 °C
Response time per IEC 60751	T05 < 5 s T09 < 10 s
Tolerance of the measuring resistor per IEC 60751	Class A $\pm (0.15 \text{ }^\circ\text{C} + 0.002 \text{ t})$

Connector Drawings



Wiring Diagrams

